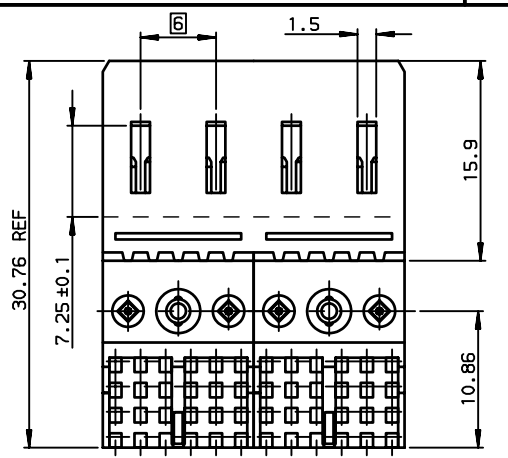


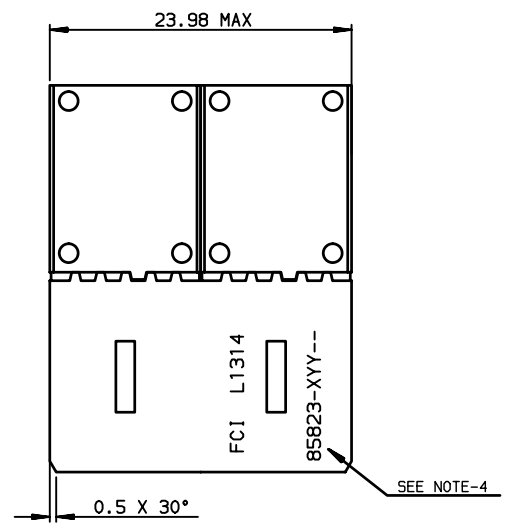
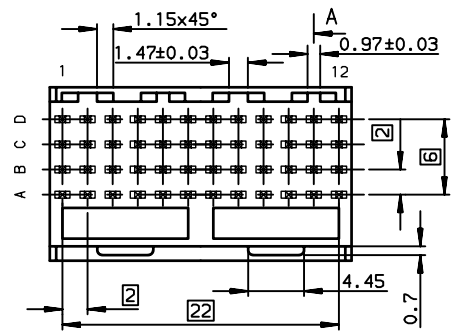
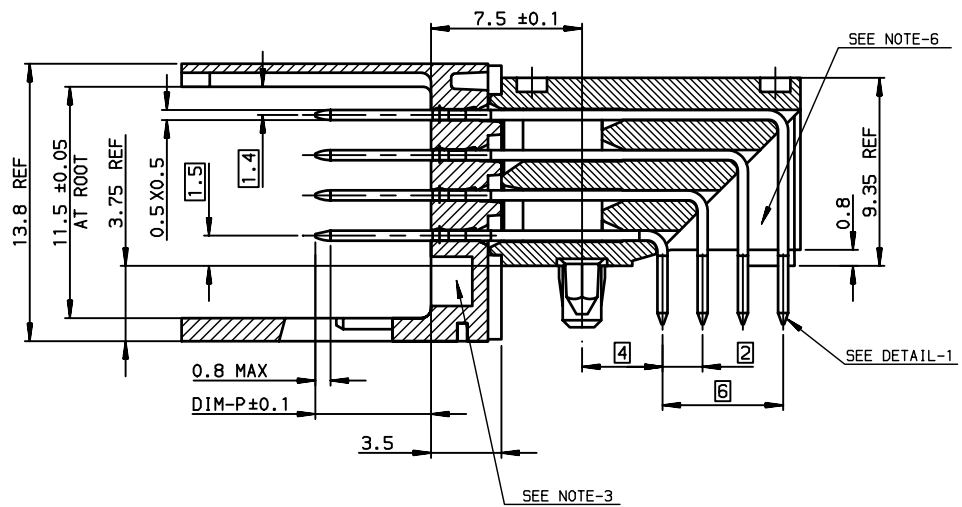
GENERAL CHARACTERISTICS AND ROHS INFORMATIONS:
SEE PRODUCT SPECIFICATION: GS-12-446

- NOTE-2: ONE CENTER PEG FOR HOLD DOWN FORCE
- NOTE-3: CODING RECESS FOR 8MM EXTENDED KEYS
- NOTE-4: PRODUCT MARKING = PRODUCT NUMBER + FCI+DATE CODE
- NOTE-5: PLATING ON MATING PART : SEE PROD SPEC GS-12-446
- NOTE-6: CENTRAL WALL WITH END REAR SUPPORT
- NOTE-7: STANDARD PACKAGING IS TUBE ,BUT IF SUFFIX "P" IS ADDED IN P/N,PACKAGING IS IN TRAYS,MARKING IS WITHOUT "P"
 Example: 85823-1xxPLF ,marking 85823-1xxLF

PART NUMBER	PERFORMANCE LEVEL
85823-1YY(LF)	STANDARD P/N, See Prod. Spec GS-12-446
85823-3YY(LF)	CUSTOMER SPECIAL , Specific Plating



SECTION-A SCALE 4/1



OTHERS INFORMATIONS,SEE DRW 85823-2

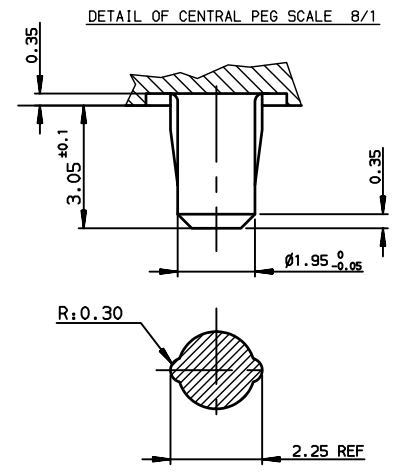
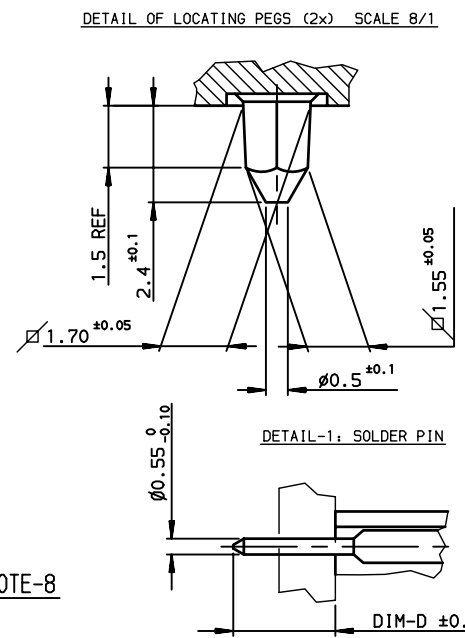
European Views

www.fciconnect.com			surface ISO 1302 ✓	tolerance std ISO 406 ISO 1101	projection mm
TOLERANCES UNLESS OTHERWISE SPECIFIED					
Dr	LENOIR	1991/04/21	ANGULAR	0.X ±0.1	size A3
Eng	LENOIR	1991/04/21	LINEAR	0.XX ±0.1	Scale 2.5:1
Chr	LEGARE	1991/04/21	0.XX' ±2'	0.XXX ±0.1	ECN LS07-0143
Appr	LEGARE	1991/04/21	Product family METRAL		Spec ref -
FCI			METRAL RA HDR STB CONVERG		Rev. L
catalog no			NB 4x12 -2MODULES -FMLB LOADING		85823-1
			CUSTOMER		sheet 1 of 2

rev	ecn no	dr	date
E	-	CHA	2003/07/02
F	LS05-0056	MLE	2005/04/20
G	LS06-0075	LGO	2006/05/22
H	LS06-0114	LGO	2006/08/12
J	LS07-0003	LGO	2006/01/04
K	LS07-0134	MLE	2007/05/14
L	LS07-0143	MLE	2007/05/21

Copyright FCI. FCI

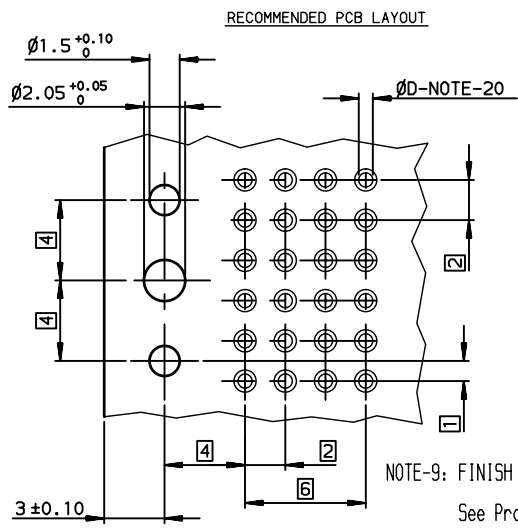
PART NUMBER / CONTACT LOADING							
DIM-P ±0.10				DIM-D ±0.30	TIN LEAD PART NUMBER	LEAD FREE PART NUMBER	
ROW-A	ROW-B	ROW-C	ROW-D				
5.00	5.00	5.00	5.00	2.90	85823-X01	85823-X01LF	
5.00	5.75	5.00	5.00	2.90	85823-X02	85823-X02LF	
5.00	5.75	6.50	5.00	2.90	85823-X03	85823-X03LF	
5.00	5.00	6.50	5.00	2.90	85823-X04	85823-X04LF	
5.75	5.75	5.75	5.75	2.90	85823-X05	85823-X05LF	
6.50	5.75	5.00	5.75	2.90	85823-X06	85823-X06LF	
6.50	6.50	6.50	5.75	2.90	85823-X07	85823-X07LF	
6.50	5.75	6.50	5.75	2.90	85823-X08	85823-X08LF	
6.50	5.00	5.00	5.00	2.90	85823-X09	85823-X09LF	
5.75	5.75	5.75	5.75	3.70	85823-X10	85823-X10LF	
-	-	-	-	2.90	85823-X11	85823-X11LF	SEE NOTE-8



NOTE-8: CONTACT LOADING SEPCIF 85823-X11 (LF).

	1										12		
D	5.00	5.00	5.00	5.00	5.00	5.00	5.00	5.00	5.00	5.00	6.50	5.00	5.00
C	5.00	5.00	5.00	5.00	5.00	5.00	5.00	5.00	5.00	5.00	6.50	5.00	5.00
B	5.00	5.00	5.00	5.00	5.00	5.00	5.00	5.00	5.00	5.00	5.00	5.00	5.00
A	5.00	5.00	5.00	5.00	5.00	5.00	5.00	5.00	5.00	5.00	5.00	5.00	5.00

OTHERS INFORMATIONS, SEE DRW 85823-1



NOTE-9: FINISH HOLE DIAMETER
See Prod Spec GS-12-446

rev	ecn no	dr	date
E	-	CHA	2003/07/02
F	LS05-0056	LGO	2005/04/20
G	LS06-0075	LGO	2006/05/22
H	LS06-0114	LGO	2006/08/12
J	LS07-0003	LGO	2007/01/04
K	LS07-0134	MLE	2007/05/14
L	LS07-0143	MLE	2007/05/21

www.fciconnect.com			surface ISO 1302 ✓	tolerance std ISO 406 ISO 1101	projection mm
TOLERANCES UNLESS OTHERWISE SPECIFIED					
Dr	LENOIR	1994/04/21	ANGULAR	0.X ±0.1	size A3
Eng	LENOIR	1994/04/21	LINEAR	0.XX ±0.1	Scale 4:1
Chr	LEGARE	1994/04/21	0.XX' ±2'	0.XXX ±0.1	ECN LS07-0143
Appr	LEGARE	1994/04/21	Product family	METRAL	Spec ref -
			METRAL RA HDR STB CONVERG NB 4x12 -2MODULES -FMLB LOADING		dwg no 85823-2
catalog no			-		Rev. L
CUSTOMER				sheet 2 of 2	